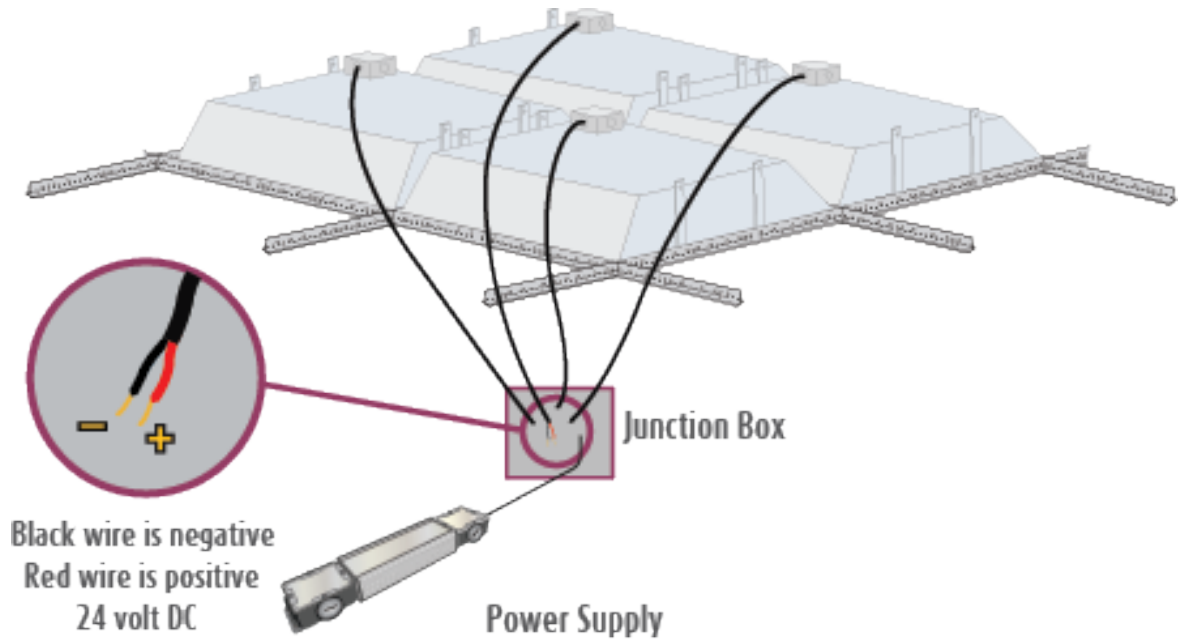


Classic w/ EcoPlus Electrical Instructions (HLG)



Installation Instructions includes:

Classic w/ EcoPlus Electrical Instructions (HLG)

Wiring Diagram EL001391, EL001428 & EL001453

Installation specific wiring diagram (where applicable)

For technical support at any time during the installation, please call us **toll free at 866-759-3228**.
We want your installation to go as smoothly as possible. Thank you for choosing Sky Factory.

Classic w/ EcoPlus Electrical Requirements:

EP22 Series: EP22 (2' x 2'), EP22M (60cm x 60cm), EP22G (62.5cm x 62.5cm)

EP24 Series: EP24 (2' x 4'), EP24M (60cm x 120cm), EP24G (62.5cm x 125cm)

NOTE: For custom sizes, see installation specific wiring diagram included (where applicable)

All EcoPlus fixtures are 24V DC only.

EcoPlus fixtures must be powered only by provided UL Recognized, CE Compliant 24V DC power supply

Dry locations only.

For installations with multiple power supplies, see

installation specific wiring diagram included (where applicable)

For installations with one or more custom sizes, see

installation specific wiring diagram included (where applicable)

RF filter, if used, is not provided by Sky Factory.

Sky Factory provided external dimmable power supply:

Input (Typ) 90-305V, 47 - 63 Hz

Output 24V DC

UL (U.S. and Canada) Recognized and CE Compliant

Maximum Watts (useable) per power supply: 600 Watts

Available sizes: 40W, 60W, 80W, 100W, 120W, 150W, 185W, 240W, 320W, 480W, 600W

AC input wire sizes: 17 AWG on 40-600W

DC output wire sizes: 17 AWG on 40-240W,480W; 14 AWG on 320W,600W

Dimmer wire sizes: 20 AWG on 40-480W; 18 AWG on 600W

Power supply must have 2" clearance for air flow. Wall mount recommended.

Power supply must be mounted in dry locations.

Surface mountable

Classic w/ EcoPlus Electrical Requirements (cont'd):

Sky Factory provided dimmer control (where specified):

Lutron Diva DVSTV 0 - 10V dimmer/switch (UL & CSA compliant)

Input: auto-ranging 120 - 277V AC

Mounts in standard single-gang electrical box

White standard, other colors available on request

Lutron Diva DDTV 0 - 10V dimmer/switch and PP-DV power pack (UL & CSA compliant)

Input: auto-ranging 120 - 277V AC

Lutron Diva mounts in standard single-gang electrical box

White standard, other colors available on request

Jung 240-10 dimmer/switch and external relay where specified (CE compliant)

Input: 230 - 240V AC

Installs in appliance box to DIN 49073

Helvar TK4 140 dimmer/switch (CE compliant)

Input: 220 - 240V AC

Mounts in standard UK or DIN back box

For dimming requirements, see page 6

For dimmer wiring diagrams, see dimmer control (and relay where specified) and wiring diagrams included

Electrical work must be performed by a qualified electrician who is familiar with DC lighting systems and must conform to all local and national codes.

Non-Dimmable and Dimmable Certification:

ES22 Series, ES24 Series, ES26 Series, ES33 Series, ES34 Series, ES36 Series, ES44 Series, ES46 Series, ESCST Series, EP22 Series, EP24 Series, EP26 Series, EP33 Series, EP34 Series, EP36 Series, EP44 Series, EP46 and EPCST Series fixtures when used with 24PS HLG Power System UL, CSA and CE Listed by Intertek Group plc

Step 1: Wiring the EcoPlus fixtures to the power supply

See wiring diagrams on pages 7-9 and installation specific wiring diagram (where applicable)

EcoPlus Lighting System - EP22 and EP24 Series				
TSF Model No.	Dimensions: WxLxH	Weight	System Wattage (Max)	Input Current @ 24 Volts DC
EP22	23.6 x 23.6 x 5.63 (inches)	4.0 lb	23	0.96 A
EP24	23.75 x 47.75 x 5.85 (inches)	11.7 lb	47	1.96 A
EP22M	58.9 x 58.9 x 14.3 (cm)	1.8 kg	23	0.96 A
EP24M	59.4 x 119.4 x 14.86 (cm)	5.31 kg	47	1.96 A
EP22G	61.4 x 61.4 x 14.3 (cm)	2.1 kg	23	0.96 A
EP24G	61.9 x 124.4 x 14.86 (cm)	5.31 kg	47	1.96 A

NOTE: For custom sizes, see also installation specific wiring diagram (where applicable)



Notice: The LED fixtures are 24V DC ONLY.

AC voltage connected directly to the fixtures will destroy the lighting system.

Fixtures are wired together in single or multiple circuits. Each circuit is dedicated to a single power system and may be arranged in rows or clusters, depending on installation.

A junction box with 1/2" trade size knock-outs is attached on top corner of each fixture.

- Power leads inside fixture junction box are polarized, red (+) and black (-).
- Wire size 18 AWG stranded.

Step 1 continued

Wiring from fixtures to V DC side of provided power supply is polarized, positive (+) to positive (+) and negative (-) to negative (-):

EcoPlus fixture red “+” to power supply **Vo+**

EcoPlus fixture black “-” to power supply **Vo-**

For power supply V DC wire size, see wiring diagrams included

HLG-480H-24B and HLG-600H-24B have two sets of output leads. Meanwell recommends loading no more than:

240 Watts on each set of cables for HLG-480H-24B

480 Watts on each set of cables for HLG-600H-24B

Wire and additional junction boxes from fixtures to power supply provided by others.

Wire gauge must conform to local and national codes. Voltage drop of no more than 2% is recommended.

Step 2: Wiring the power supply to source V AC

Run power to V AC side of the power supply.

Line to power supply **ACL**

Neutral to power supply **ACN**

Ground to power supply  **(GREEN/YELLOW)**

Wire gauge must conform to local and national codes.

Install the power switch on the V AC input side of the power supply.

Step 3: Dimming requirements

Contact the Sky Factory if you plan on using a dimming system provided by others.



Notice: Dimming using non-approved systems may permanently damage LED's and will void the warranty!

Wiring a Sky Factory provided dimmer control:

To wire the dimmer control (and external relay where specified), refer to wiring diagram included with dimmer and relay and wiring diagrams included.

Step 4: Checking the polarity



Notice: CHECK THE POLARITY BEFORE TURNING ON POWER. MAKE SURE:

Red wires on the fixtures go to the "+" terminals of the power supply

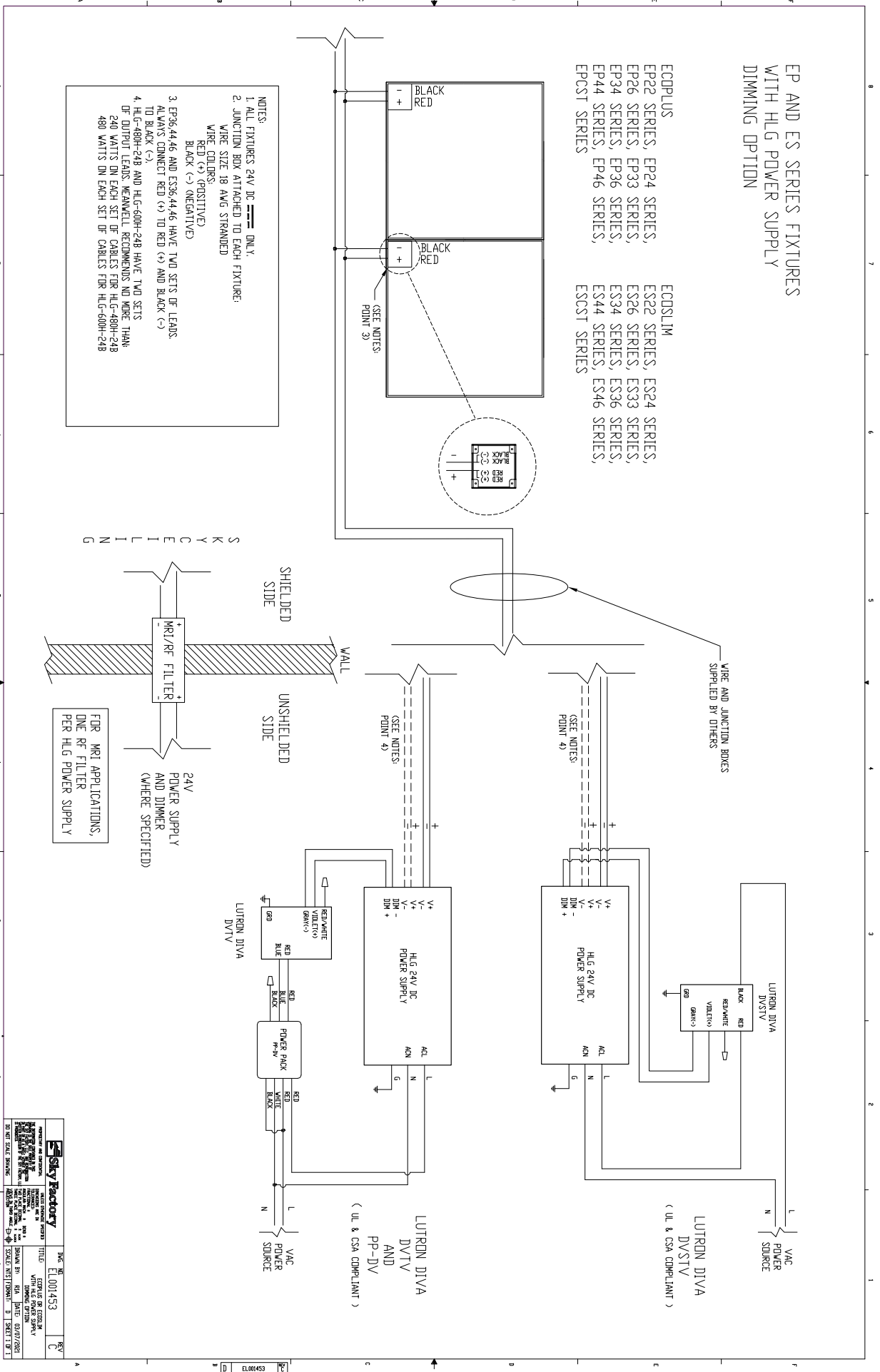
Black wires on the fixtures go to the "-" terminals of the power supply

IF THE SYSTEM IS WIRED BACKWARD, IT WILL DESTROY THE LED'S!

EP AND ES SERIES FIXTURES WITH HLG POWER SUPPLY DIMMING OPTION

- ECOPPLUS**
 EP22 SERIES, EP24 SERIES, EP26 SERIES, EP33 SERIES, EP34 SERIES, EP36 SERIES, EP44 SERIES, EP46 SERIES, EPCST SERIES
- ECOSLIM**
 ES22 SERIES, ES24 SERIES, ES26 SERIES, ES33 SERIES, ES34 SERIES, ES36 SERIES, ES44 SERIES, ES46 SERIES, ESCST SERIES

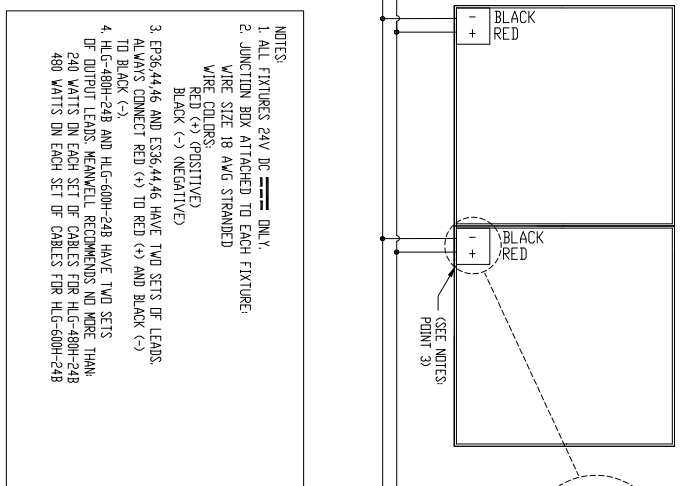
- NOTES:**
1. ALL FIXTURES 24V DC **ONLY**. JUNCTION BOX ATTACHED TO EACH FIXTURE. WIRE SIZE 18 AWG STRANDED
 2. WIRE COLORS:
 RED (+) (POSITIVE)
 BLACK (-) (NEGATIVE)
 3. EP36,44,46 AND ES36,44,46 HAVE TWO SETS OF LEADS. ALWAYS CONNECT RED (+) TO RED (+) AND BLACK (-) TO BLACK (-).
 4. HLG-480H-24B AND HLG-600H-24B HAVE TWO SETS OF OUTPUT LEADS. MEANWELL RECOMMENDS NO MORE THAN 240 WATTS ON EACH SET OF CABLES FOR HLG-480H-24B 480 WATTS ON EACH SET OF CABLES FOR HLG-600H-24B



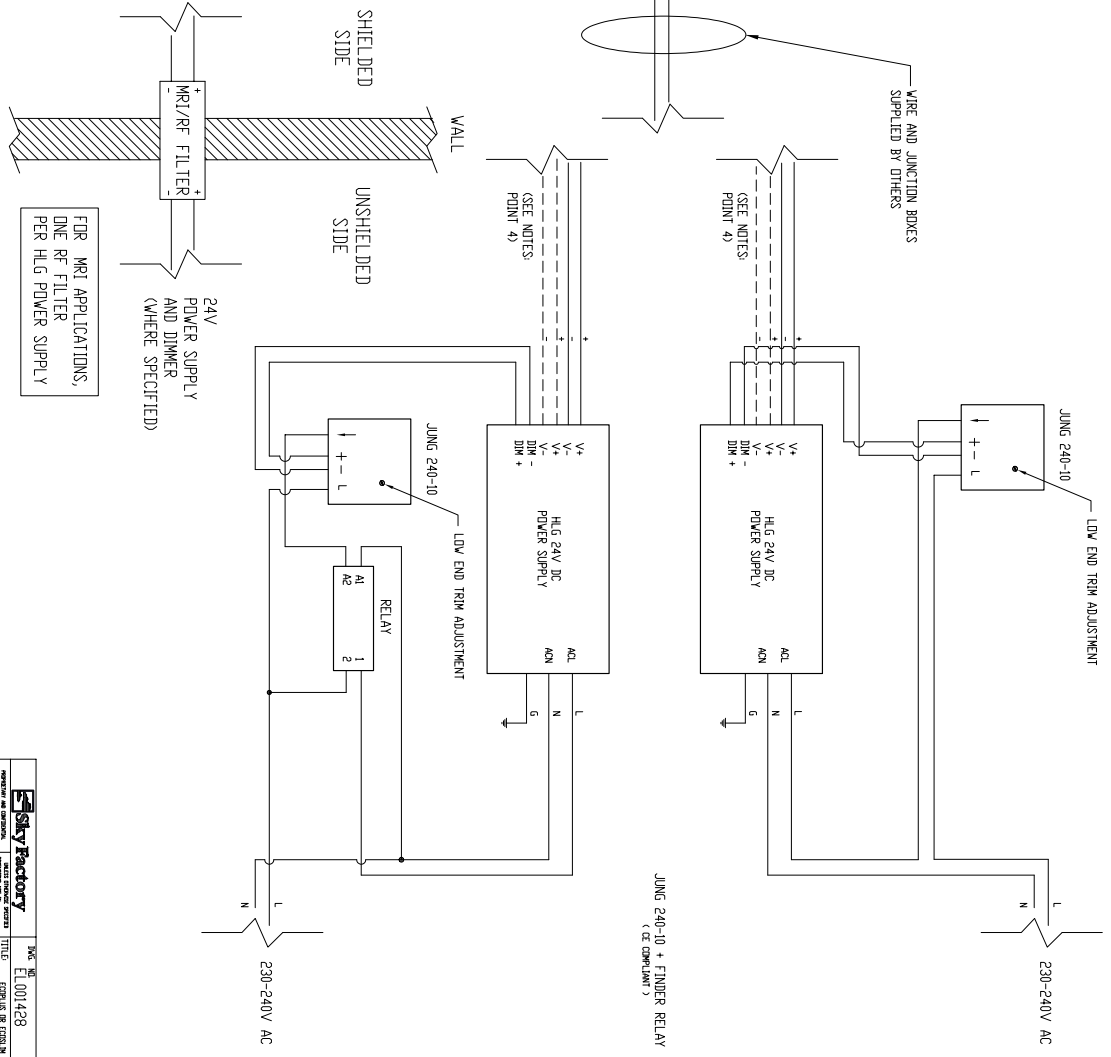
<p>MANUFACTURER OF SKYLINE LIGHTING 10000 Skyway Blvd. Suite 100 Dallas, TX 75243 (972) 412-1111 www.skyfactory.com</p>	<p>DATE: 01/11/2023 TITLE: EP AND ES SERIES DIMMING OPTION WIRING DIAGRAM DRAWN: G07/2023 CHECKED: M3/2023 SCALE: 1/8" = 1"</p>
<p>REV: C</p> <p>NO. OF SHEETS: 1</p>	<p>REV: C</p> <p>NO. OF SHEETS: 1</p>

EP AND ES SERIES FIXTURES WITH HLG POWER SUPPLY DIMMING OPTION

- ECOPPLUS**
EP22 SERIES, EP24 SERIES,
EP26 SERIES, EP33 SERIES,
EP34 SERIES, EP36 SERIES,
EP44 SERIES, EP46 SERIES,
EPCST SERIES
- ECOSLIM**
ES22 SERIES, ES24 SERIES,
ES26 SERIES, ES33 SERIES,
ES34 SERIES, ES36 SERIES,
ES44 SERIES, ES46 SERIES,
ESCST SERIES



- NOTES:**
1. ALL FIXTURES 24V DC ONLY.
2. JUNCTION BOX ATTACHED TO EACH FIXTURE:
WIRE SIZE 18 AWG STRANDED
WIRE COLORS:
RED (+) (POSITIVE)
BLACK (-) (NEGATIVE)
3. EP36,44,46 AND ES36,44,46 HAVE TWO SETS OF LEADS. ALWAYS CONNECT RED (+) TO RED (+) AND BLACK (-) TO BLACK (-).
4. HLG-480H-24B AND HLG-600H-24B HAVE TWO SETS OF OUTPUT LEADS. MEANWELL RECOMMENDS NO MORE THAN 240 WATTS ON EACH SET OF CABLES FOR HLG-480H-24B AND 480 WATTS ON EACH SET OF CABLES FOR HLG-600H-24B



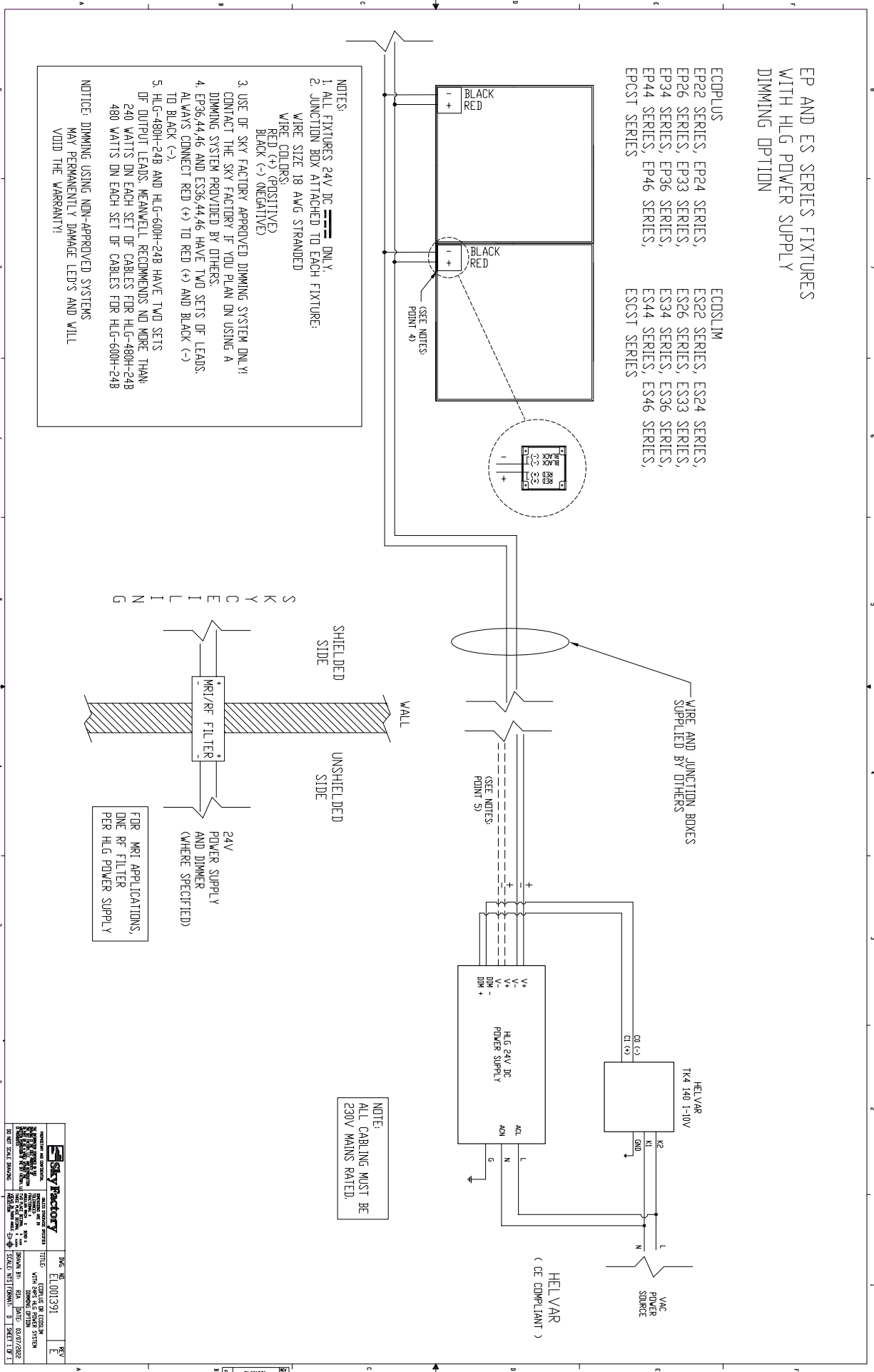
FOR MRI APPLICATIONS,
ONE RF FILTER
PER HLG POWER SUPPLY

Sky Factory	
DATE: EL001428	REV: C
TITLE: HLG POWER SUPPLY WITH DIMMING OPTION	
DESIGNED BY: SHONG SHYUN	DATE: 2017/02/23
CHECKED BY: SHONG SHYUN	DATE: 2017/02/23
APPROVED BY: SHONG SHYUN	DATE: 2017/02/23
BY THE FIELD ENGINEER	

EP AND ES SERIES FIXTURES
WITH HLG POWER SUPPLY
DIMMING OPTION

- ECOPUS
EP22 SERIES, EP24 SERIES,
EP26 SERIES, EP33 SERIES,
EP34 SERIES, EP36 SERIES,
EP44 SERIES, EP46 SERIES,
EPCST SERIES
- ECOSLM
ES22 SERIES, ES24 SERIES,
ES26 SERIES, ES33 SERIES,
ES34 SERIES, ES36 SERIES,
ES44 SERIES, ES46 SERIES,
ESCST SERIES

- NOTES:
1. ALL FIXTURES 24V DC ONLY,
2. JUNCTION BOX ATTACHED TO EACH FIXTURE:
WIRE SIZE 18 AWG STRANDED
WIRE COLORS:
RED (+) (POSITIVE)
BLACK (-) (NEGATIVE)
3. USE OF SKY FACTORY APPROVED DIMMING SYSTEM ONLY!
CONTACT THE SKY FACTORY IF YOU PLAN ON USING A
DIMMING SYSTEM PROVIDED BY OTHERS.
4. EP36,44,46 AND ES36,44,46 HAVE TWO SETS OF LEADS
ALWAYS CONNECT RED (+) TO RED (+) AND BLACK (-)
TO BLACK (-).
5. HLG-480H-24B AND HLG-600H-24B HAVE TWO SETS
OF OUTPUT LEADS. MEANWELL RECOMMENDS NO MORE THAN
240 WATTS ON EACH SET OF CABLES FOR HLG-480H-24B
480 WATTS ON EACH SET OF CABLES FOR HLG-600H-24B
- NOTICE: DIMMING USING NON-APPROVED SYSTEMS
MAY PERMANENTLY DAMAGE LED'S AND WILL
VOID THE WARRANTY!



NOTE:
ALL CABLING MUST BE
230V MAINS RATED.

FOR MRI APPLICATIONS,
ONE RF FILTER
PER HLG POWER SUPPLY

REGISTERED AND PATENTED SKY FACTORY 10000 WILSON AVENUE SUITE 100 BOSTON, MA 02120 TEL: 617.252.1000 FAX: 617.252.1001 WWW.SKYFACTORY.COM	SKY FACTORY 10000 WILSON AVENUE SUITE 100 BOSTON, MA 02120 TEL: 617.252.1000 FAX: 617.252.1001 WWW.SKYFACTORY.COM
TITLE: EP AND ES SERIES SYSTEM DRAWN BY: RJA DATE: 03/27/2022 SCALE: NOT TO SCALE SHEET NO. 1	PROJECT NO: EL001391 PROJECT TITLE: EP AND ES SERIES SYSTEM DRAWN BY: RJA DATE: 03/27/2022 SCALE: NOT TO SCALE SHEET NO. 1