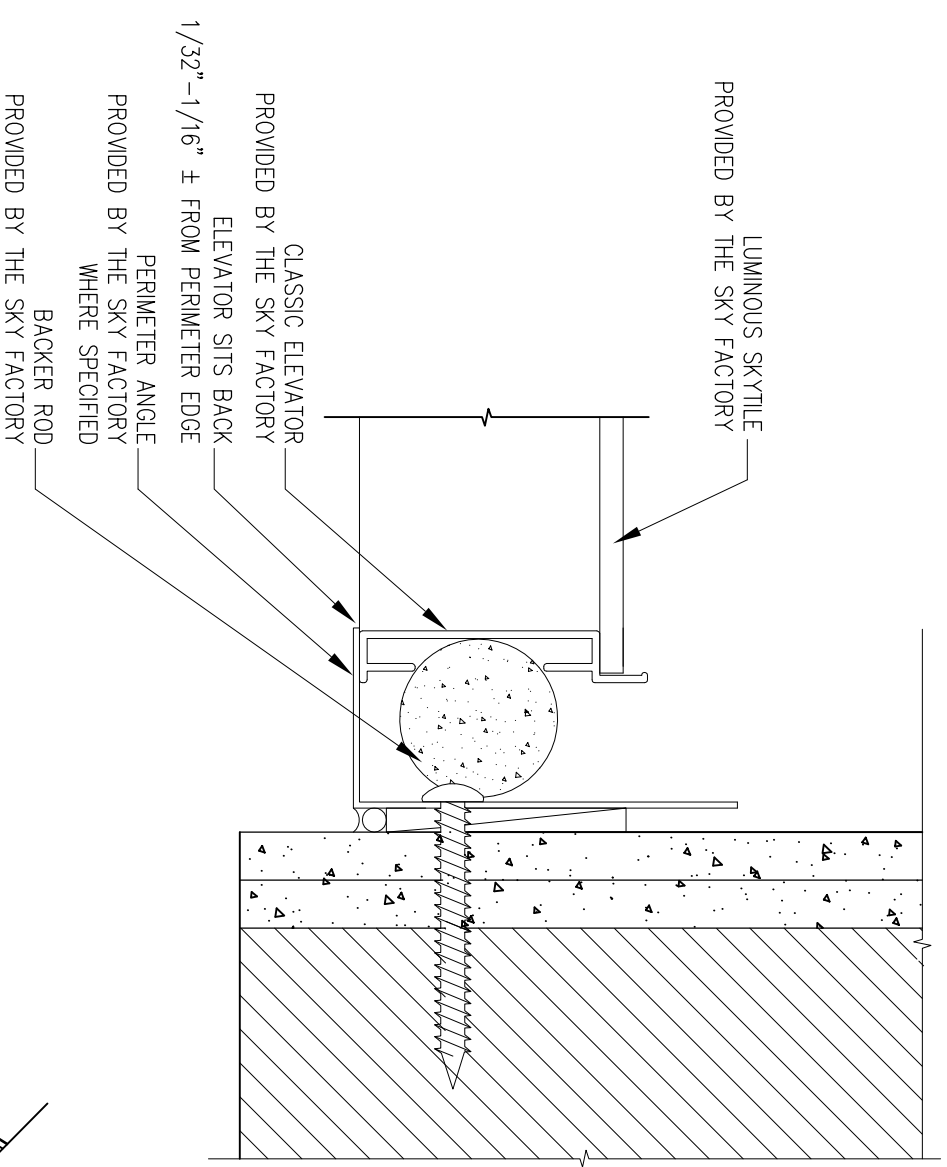


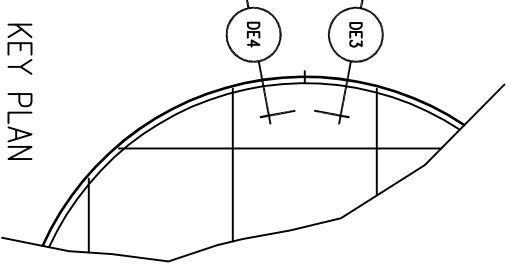
PERIMETER DETAIL
CEILING GRID TO CURVED PERIMETER ANGLE
(ELEVATOR AND BACKER ROD REMOVED FOR CLARITY)

DE3



ELEVATOR/PERIMETER ANGLE

DE4



NOTE: ALL STRUCTURAL ELEMENTS
NOT PROVIDED BY SKY FACTORY
AS REFERENCE ONLY.



PO BOX 1177
Fairfield, Iowa 52556
Phone: 641-472-1747
www.SkyFactory.com

PROPRIETARY AND CONFIDENTIAL
THE INFORMATION CONTAINED IN THIS DRAWING IS
THE SOLE PROPERTY OF
THE SKY FACTORY. ANY REPRODUCTION IN PART OR
AS A WHOLE WITHOUT THE WRITTEN PERMISSION OF
THE SKY FACTORY IS PROHIBITED.

TITLE: CIRCULAR ECOPLUS W/ STANDARD PERIMETER
DESCRIPTION: PERIMETER AND GRID DETAILS

PERIMETER AND GRID DETAILS

DE3-4

REV	NAME	DATE	SIZE	DWG. NO.	REV
A	RA	02-02-17	B	IM000679	A
DRAWN					SHEET 5 OF 5